

Liebert® GXT3, 5000-10000 VA RT Model

Reliable On-Line Protection In A Compact Package

■ AC Power for
Business-Critical Continuity™



Flexibility:

- Rack/tower configuration in one form factor
- Rotatable display
- Automatic frequency detection
- User replaceable hot-swappable internal batteries
- Extended back up time with additional battery cabinets
- Liebert IntelliSlot™ communications port
- Multiple output possibilities (hardwired and socket)
- Includes Windows-based configuration program
- Built-in USB communications for use with Liebert MultiLink™ automated shutdown software
- Built-in closure signals
- Emergency power off (EPO)

Higher Availability:

- Wider input voltage window minimizes battery use
- Internal automatic and manual bypass
- Self-diagnostics

Reduced Total Cost Of Ownership:

- Standard two-year warranty
- Uses minimum rack space
- Batteries shielded from heat generating electronic components
- Battery cutoff voltage to prevent from overdischarge of batteries

Liebert GXT3 is designed to deliver higher power capacities for applications with limited floor space. This true on-line double conversion UPS system is available in 5000 - 10000 VA featuring an integrated maintenance bypass, as well as optional extended battery back up time.

Designed for use in either rack or tower configurations, Liebert GXT3 units maintain a compact footprint in all ratings with 5000 - 6000 VA models having a height of 5U and the 10000 VA a height of 6U.

Communications For Power Monitoring And Control

Liebert GXT3 offers a variety of communications options providing flexible monitoring and control capabilities. Operation can be monitored using:

- Liebert IntelliSlot™ web card providing SNMP and web-based monitoring and control of your UPS
- Liebert MultiLink™ automated system shutdown software
- Liebert Nform™ monitoring system
- Third-party monitoring systems

Ideally suited for Mission-Critical Applications such as:

- LAN & WAN servers
- Network equipment
- IP telephony deployments
- Office telecommunications systems
- ISDN & frame relay applications
- Test and diagnostic equipment
- Micro processor-controlled equipment
- Finance applications

Up to 0.9 PF
More Power
Available!

Liebert GXT3 5000 & 6000 VA



Liebert GXT3 10000 VA


EMERSON
Network Power

Liebert® GXT3, 5000-10000 VA RT Model

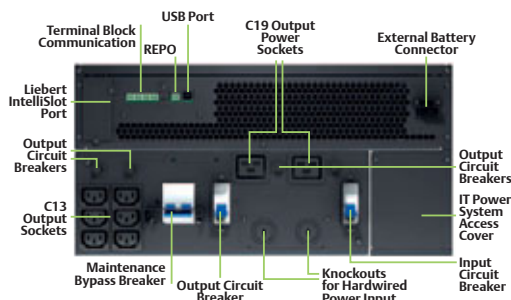
Specifications

| Model Number | GXT3-5000RT230 | GXT3-6000RT230 | GXT3-10000RT230 |
|-----------------------------------------------|------------------------------------------------------------------------------------------|-------------------------------------------------------------------------------------------|-------------------------------------------------------------------------------------------|
| Power Rating | 5000 VA/4000 W | 6000 VA/4800 W | 10000 VA/9000 W |
| Dimensions, W x D x H - mm | 430 x 574 x 217 / 530 x 745 x 516 | | 430 x 581 x 261 / 530 x 745 x 563 |
| Unit / Shipping | 60 / 71 | | 70 / 92 |
| Weight - kg | | | |
| Unit / Shipping | | | |
| Input AC Parameters | 220/230/240VAC (May be modified using included configuration program) | | |
| Voltage Range Without Battery Operation | 220/230/240VAC (May be modified using included configuration program) | | |
| Frequency Range | 40 - 70Hz | | |
| Input Socket | Hardwired input on PD2-CE6HDWRDMBS standard power distribution box | Hardwired input on PD2-CE10HDWRDMBS standard power distribution box | Hardwired input on PD2-CE10HDWRDMBS standard power distribution box |
| Output Sockets | 6 x IEC C13 + 2 x IEC C19 + hardwired on PD2-CE6HDWRDMBS standard power distribution box | 4 x IEC C13 + 4 x IEC C19 + hardwired on PD2-CE10HDWRDMBS standard power distribution box | 4 x IEC C13 + 4 x IEC C19 + hardwired on PD2-CE10HDWRDMBS standard power distribution box |
| Operating Voltage Range w/o Battery Operation | 176-280VAC | | |
| Waveform | Sinewave | | |
| Battery Parameters | Valve-regulated, non-spillable, lead acid | | |
| Type | Valve-regulated, non-spillable, lead acid | | |
| Quantity x Voltage x Rating | 20 x 12V x 5AH | | 20 x 12V x 9AH |
| Recharge Time | 3 hr. to 90% capacity after full discharge into 100% load | | |
| Environmental | | | |
| Operating | 0°C to +40°C | | |
| Storage Temperature | -15°C to +50°C | | |
| Relative Humidity | 0%RH to 95%RH, non-condensing | | |
| Operating Altitude | Up to 1000m at 30°C | | |
| Audible Noise | <55 dBA, at 1 meter from the rear <50 dBA, at 1 meter from the front or sides | | |
| Standards and Certifications | | | |
| Safety | IEC62040-1:2008 version | | |
| EMI/EMC/C-Tick EMC | IEC/EN/AS 62040-2 2nd Ed (Cat 2 – Table 6) | | |
| ESD | EN61000-4-2, Level 4, Criteria A | | |
| Radiated Susceptibility | EN61000-4-3, Level 3, Criteria A | | |
| Electrical Fast Transient | EN61000-4-4, Level 4, Criteria A | | |
| Surge Immunity | EN61000-4-5, Level 3, Criteria A | | |
| Transportation | ISTA Procedure 1A | | |
| Compliance | CE, RoHS | | |

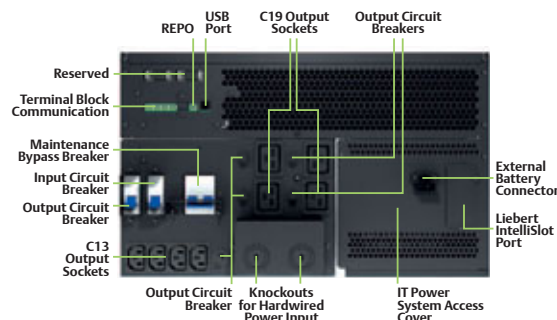
Liebert® GXT3 Battery Cabinet Specifications

| Model Number | GXT3-240VBATTCE | GXT3-240RTVBATT |
|-------------------------------------|-------------------------------------------|-----------------|
| Used w/UPS Model | GXT3-5000RT230 GXT3-6000RT230 | GXT3-10000RT230 |
| Dimensions, W x D x H - mm | 430 X 574 X 130 / 530 X 745 X 407 | |
| Unit / Shipping | 43 / 54 | |
| Weight - kg | 65 / 76 | |
| Unit / Shipping | | |
| Batteries | | |
| Type | Valve-regulated, non-spillable, lead acid | |
| Quantity x Voltage | 1 x 20 x 12V | |
| Environmental | | |
| Operating / Storage Temperature, °C | 0°C to 40°C / -15°C to +50°C | |
| Relative Humidity | 0% to 95%, non-condensing | |
| Maximum Operating Altitude | Up to 1000m at 40°C | |
| Standards and Certifications | | |
| Safety / Emissions | IEC62040-1:2008 version | |
| Transportation | ISTA Procedure 1A | |

Liebert GXT3, 5000 & 6000 VA



Liebert GXT3, 10000 VA



Locations

Emerson Network Power

Via Leonardo Da Vinci 16/18
Zona Industriale Tognana
35028 Piove di Sacco (PD) Italy
Tel: +39 049 9719 111
Fax: +39 049 5841 257
marketing.emea@emersonnetworkpower.com

Via Fornace, 30
40023 Castel Guelfo (BO) Italy
Tel: +39 0542 632 111
Fax: +39 0542 632 120
enquiries.chloride@emerson.com

United States

1050 Dearborn Drive
P.O. Box 29186
Columbus, OH 43229
Tel: +1 614 8880246

Asia

7/F, Dah Sing Financial Centre
108 Gloucester Road, Wanchai
Hong Kong
Tel: +852 2572220
Fax: +852 28029250



Tech Support

Always On! Our Commitment to your daily Business, provided by our World Wide multi language Tech Support.
Toll-free **0080011554499**
Toll **+39 02 98250222**
liebert.upstech@emerson.com

While every precaution has been taken to ensure the accuracy and completeness of this literature, Liebert Corporation assumes no responsibility and disclaims all liability for damages resulting from use of this information or for any errors or omissions. ©2011 Liebert Corporation

All rights reserved throughout the world. Specifications subject to change without notice.

GXT3R-FLY-EN-1010-03
MKA4LOUKGXT3R Rev.1-07/2011

Emerson Network Power™

The global leader in enabling Business-Critical Continuity™.

- AC Power
- Connectivity
- DC Power
- Embedded Computing
- Embedded Power
- Infrastructure Management & Monitoring
- Outside Plant
- Power Switching & Controls
- Precision Cooling
- Racks & Integrated Cabinets
- Services
- Surge Protection

Emerson Network Power.com

Emerson, Business-Critical Continuity™ and Emerson Network Power are trademarks of Emerson Electric Co. or one of its affiliated companies. ©2011 Emerson Electric Co.