



**Agua
Cooling**

19" cabinet range

Product Overview and Technical Data

Overview

Aqua Cooling cabinet range is the latest premium cabinet range offering, giving a smart design and state of the art manufacturing guarantees unbeatable quality, and innovation associated with our products.

- Available in datacomms and server versions
- 1000kg & 1500kg load bearing options
- 5 heights, 2 widths, 4 depths as standard
- Rigid bolted construction
- Superior standard door venting with 80% airflow
- Superior Curve door venting with 86% airflow
- Multi depth mounting
- Multi cable access through top and base
- Quick release cladding
- Left or right hand hinged
- Internally locking side panels
- Houses all major server brands
- ColdLogik compliant

The robust structure adapts itself to many applications and markets. The frame provides the perfect platform for installers and end users alike.



4210 600 wide frame

Overview

Doors are available in Trimsert™ glass, solid steel, AirTech™ or AirTech™ Curve perforated steel with up to 86% airflow. AirTech™ wardrobe doors are suitable for narrow aisles and can also accommodate upgraded security locking.

The doors have swing handles as standard and hinge opening with lift off capability. Key override combination locks and full audit electronic locks are available in two or three point locking options if extra security is required.

Side panels have locking pins for location and are locked from inside the cabinet for additional security. The pins have lock-in and lock-out positions to ensure the correct positions when removing and replacing the side panels.

Fan trays can be fitted to the top cover without affecting valuable U space inside the cabinet.



6210 800 wide with AirTech vented door



6210 600 wide with solid steel door
Shown with combination
lock option

Standard specification

Data and Server Cabs



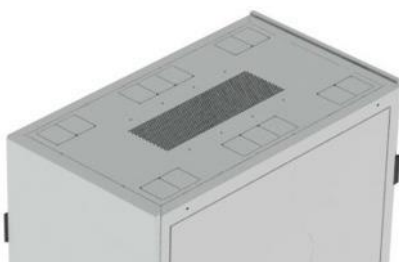
800w cabinet with AirTech vented door

Comprising of 4 corner posts, top and bottom end frame, depth support rails, front and rear 19" mounting angles, front infill panels (800w only), swing handle lockable front and rear door available in a combination of Trimsert™ glass or steel, internal locking side panels, vented top and a set of 4 transport castors, finished in Light Grey RAL 7035 - available in standard and heavy duty options.

Standard model weight loading 1000kg					
5 Heights	24U	30U	36U	42U	48U
2 widths	600mm	800mm			
4 depths	600mm	800mm	1000mm	1200mm	

Heavy duty model weight loading 1500kg		
2 Heights	42U	48U
2 widths	600mm	800mm
2 depths	1000mm	1200mm

NB: please consult with sales reference lead times and MOQ's:
Wardrobe and AirTech Curve doors are not available in all sizes



Exterior close up of top cover fan tray

If a fan tray is required it is fitted to the top cover, which is removable from the top so any fixed equipment in the cabinet does not have to be removed to replace or add a fan if required. The fan tray is also situated in the frame of the top cover and thus does not impinge on the "U" aperture.

Technical specification

standard & heavy duty cabinet range



4210 600w with AirTech curve front door
Shown with combination
lock option



4210 800w with AirTech wardrobe door

Cabinet Loading:

1000kg evenly distributed throughout the cabinet - standard model

1500kg evenly distributed throughout the cabinet - heavy duty model

Materials and finish:

Basic framework - 1.5mm CR4 steel

Corner posts - 1.2mm & 1.5mm CR4 steel

AirTech and Trimsert doors - 1.0mm, 1.2 & 2.0mm CR4 steel

Side panels - 1.0mm & 1.2mm CR4 steel

Textured powder coat light grey RAL 7035

Cabinet manufactured to IEC 60297-3 and EIA STD 310 for panels
and racks housing electronic equipment

4210 cabinet door options

600 and 800



Trimsert Glass



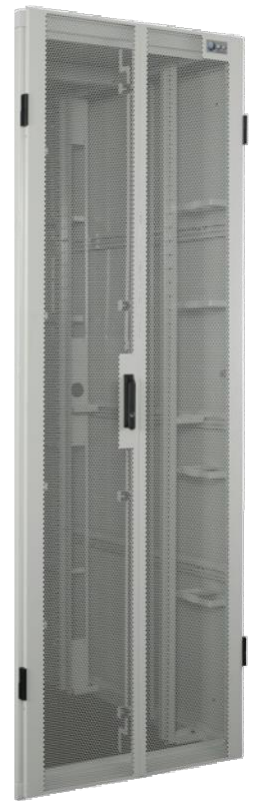
AirTech Curve™ (86% airflow)
Shown with combination
lock option



Solid Steel
Shown with combination
lock option



AirTech Steel (80% airflow)

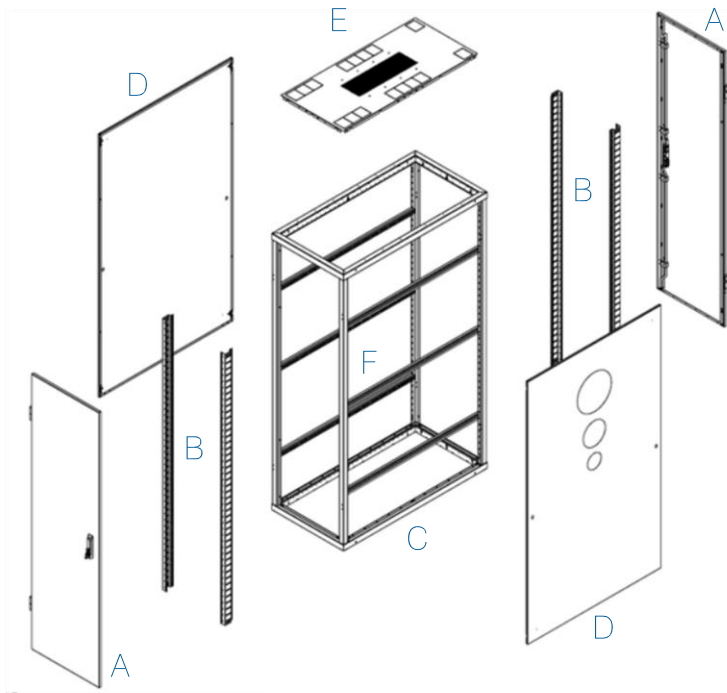


AirTech Wardrobe (76% airflow)

Locking options include: single, 2 and 3 point locking and combination key override swing handles, plus electronic and intelligent locking systems



data cabinet exploded diagram

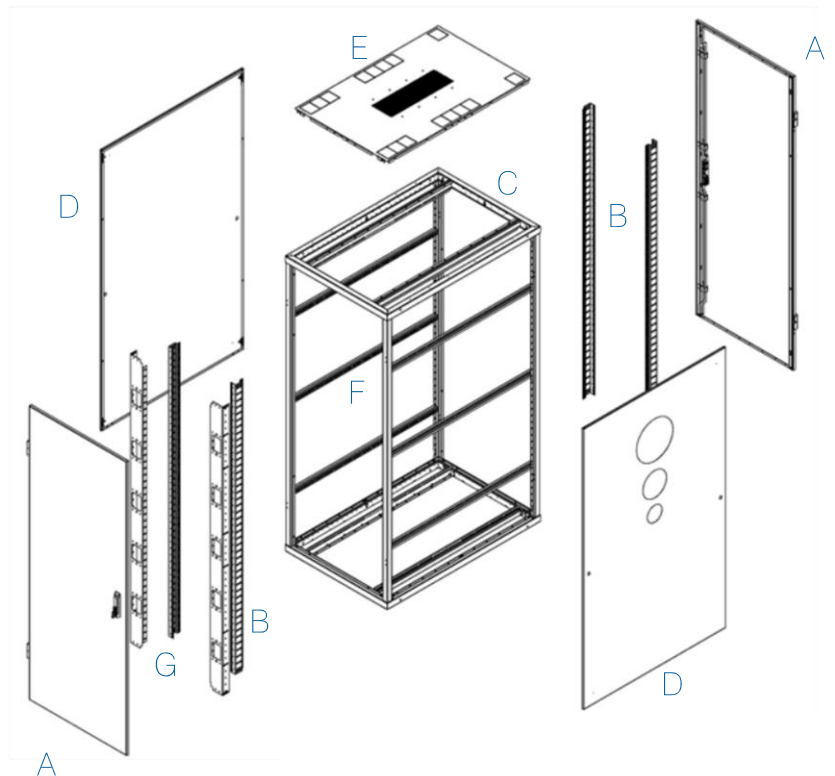


600 wide

Item	Description
A	Front and rear doors
B	Mounting angles
C	Basic frame
D	Side panels
E	Top cover
F	Depth support rails (2 pairs 24U and 30U 3 pairs 36U, 42U and 48U)

800 wide cabinet

Item	Description
A	Front and rear doors
B	Mounting angles
C	Basic frame
D	Side panels
E	Top cover
F	Depth support rails (2 pairs 24U and 30U 3 pairs 36U, 42U and 48U)
G	Pair front infill panels



19" cabinet range

Versatile, durable, effective, innovative and cost effective



Aqua
Cooling

Unit D4 Segensworth Business Centre, Segensworth Road, Fareham, PO15 5RQ

T +44 (0) 1767 652 817 E sales@aquacooling.co.uk W www.aquacooling.co.uk